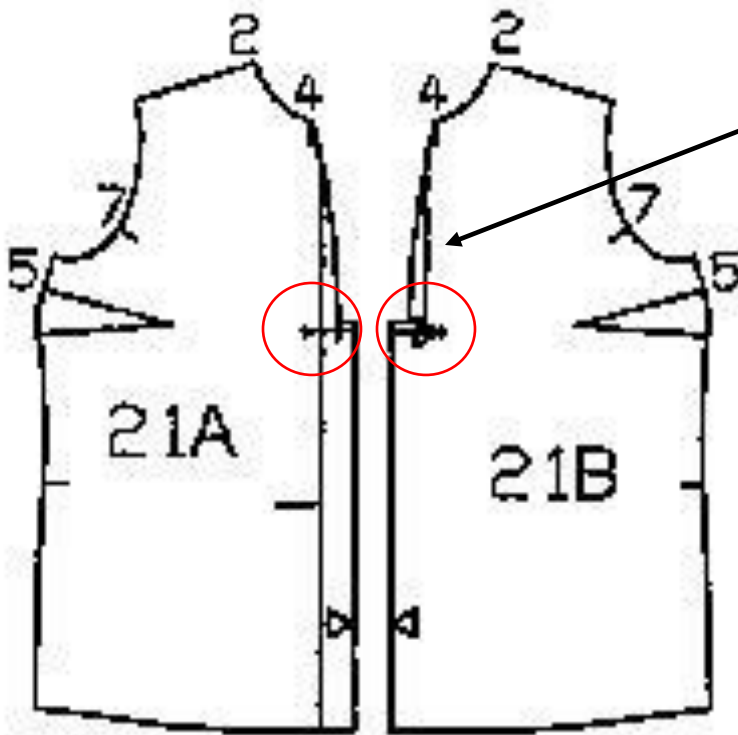


**Pattern Overview**

interfacing iron on pieces 23 and 24 (each 1x) and on pieces a (wrong fabric side).

**Construction**

- Stitch bust darts and press down.
- Clip allowance of front at an angle in each corner at end of neckline. Press allowance at edge of neckline to inside from each upper edge to clip, turn in and stitch close to edge. Neaten allowance between clips. Pin right edge to left front half at abutting line. Stitch neat crosswise as



This appears to be the line where you would fold the front to the wrong side to finish the neckline. I have a serger, so I would serge the raw edge first or do a Hong Kong finish.

I haven't pulled the pattern pieces to confirm the following, but here's my interpretation.

Clip where I've circled so you can fold back the front neckline on the foldline, which starts at 4 and goes down to the clip. Then you stitch close to the folded edge to secure it. You can see the topstitching in the illustration at the top of this page. Don't forget that seam allowances and hems are not included in this Burda pattern, so it won't be as tight as it appears here.

The remainder of the fold line from the clip downward on 21A forms the front pleat below the button.